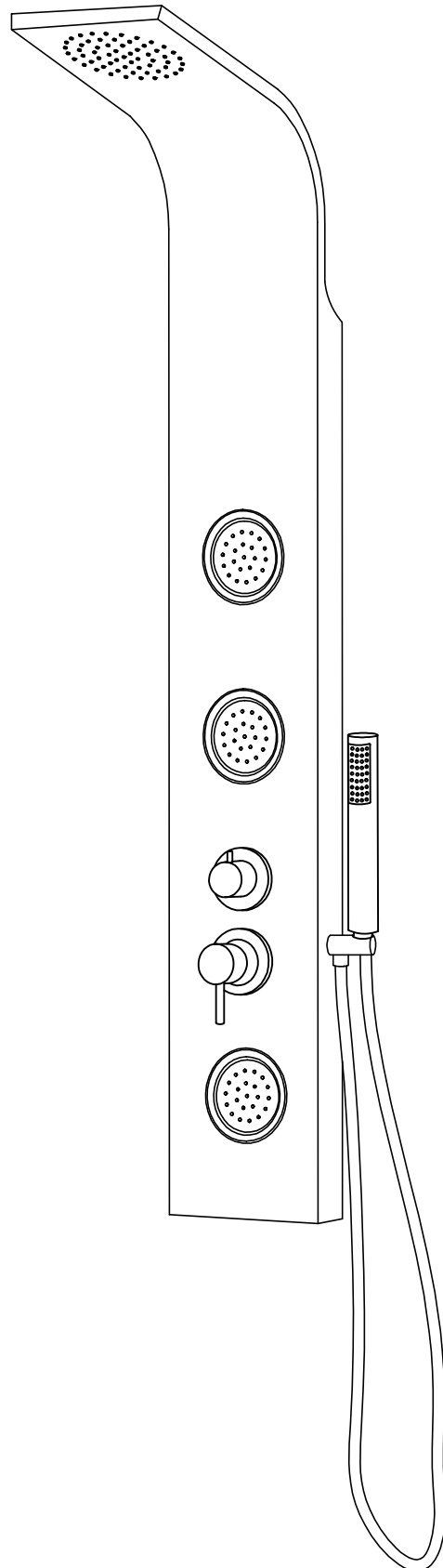


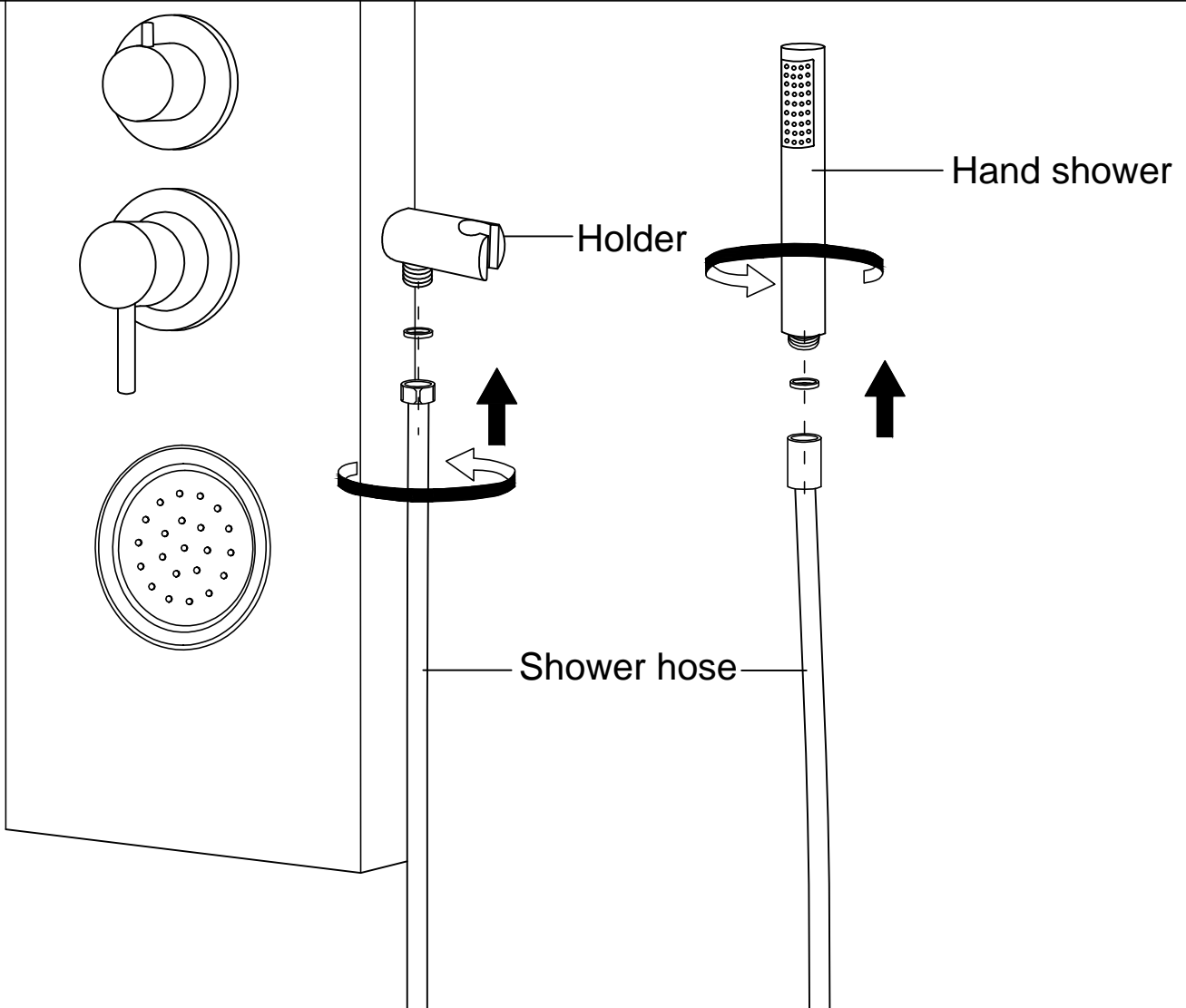
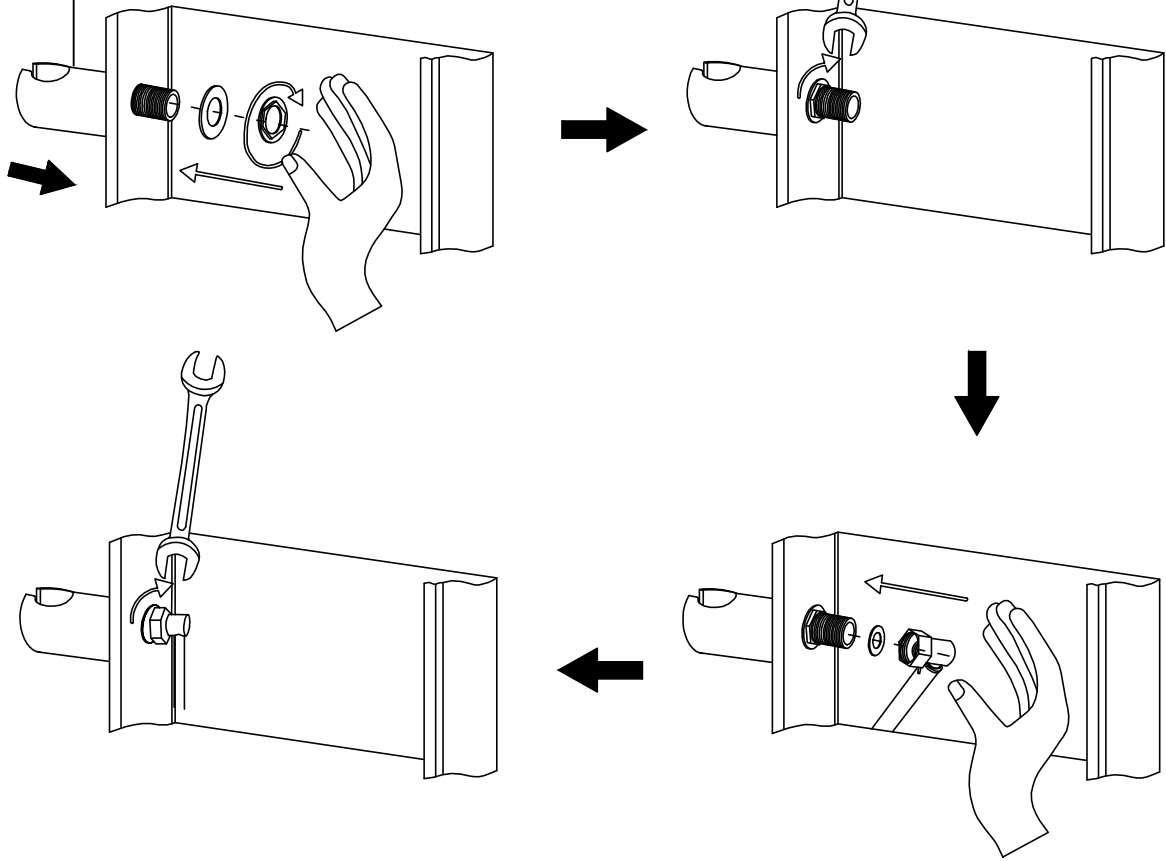


TABARCA

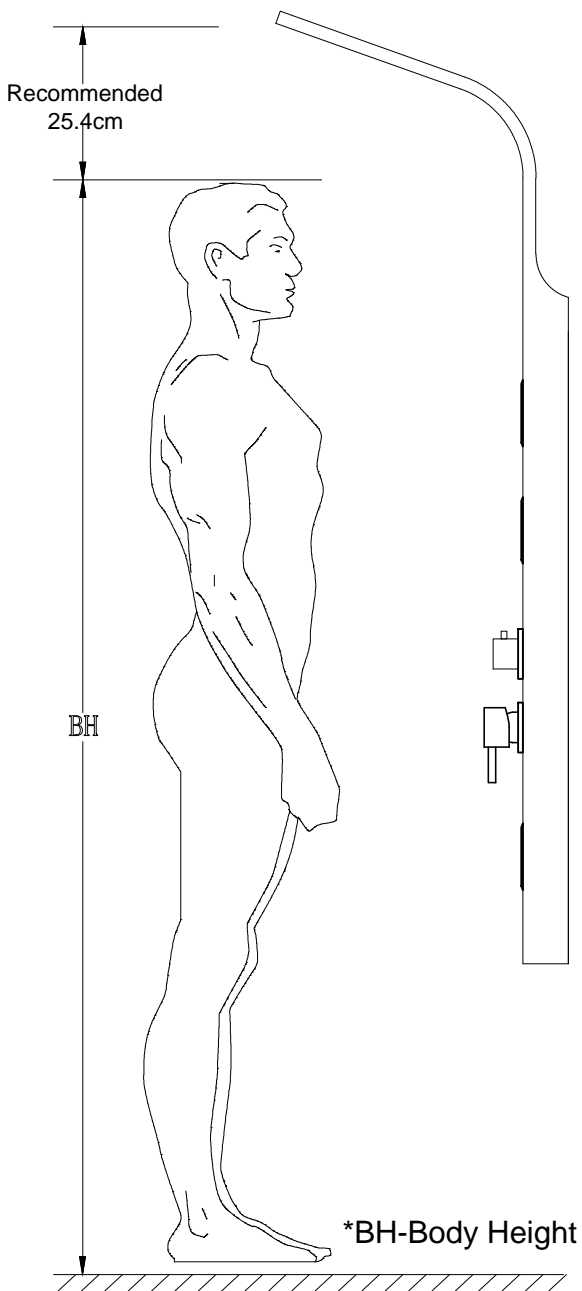


GA-SP-S-9135

Holder



1. Calculate the height of the shower, and mark the hanging strip position on the wall.
2. Drill the holes for the wall mounted parts, insert the wall plugs and fix the wall mounted parts with screws.



Dimensions

